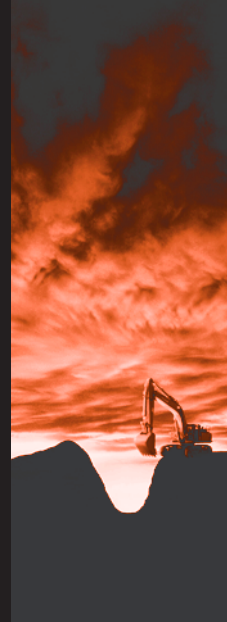
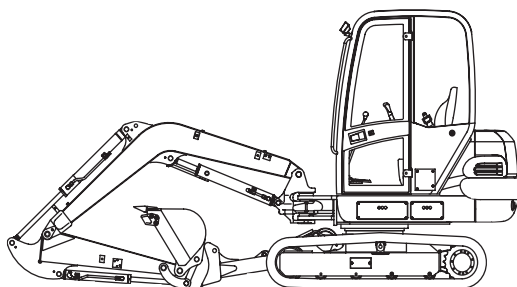


HITACHI ZAXIS40

engine rated power
26.5 kW / 36.0 HP

operating weight
4 290 kg (canopy)
4 370 kg (cabin)

bucket capacity
0.10 - 0.17 m³



HITACHI

Engine

Model.....	Kubota V2203
Type	Water-cooled, 4-cycle, 4-cylinder swirl chamber type diesel engine
Rated flywheel power.....	26.5 kW (36.0 PS)
ISO 3046.....	at 2 100 min ⁻¹ (rpm)
Rated flywheel power	26.5 kW (35.5 HP)
SAE J1349, net.....	at 2 100 min ⁻¹ (rpm)
Maximum torque	125.5 Nm (12.8 kgf/m)
	at 1 700 min ⁻¹ (rpm)
Piston displacement.....	2.179 l
Bore and stroke	87 mm x 92.4 mm
Battery	1 x 12 V, 52 Ah

Hydraulic system

The Optimum Hydraulic System (OHS) uses three pumps for job efficiency and smooth combined operations.

Main pumps.....	Two variable displacement axial piston pumps
Maximum oil flow	2 x 42.0 l/min
Third pump.....	One gear pump
Maximum oil flow	1 x 33.6 l/min
Pilot pump	One gear pump
Maximum oil flow	1 x 9.5 l/min

RELIEF VALVE SETTINGS

Implement circuit	24.5 MPa (250 kgf/cm ²)
Swing circuit.....	17.6 MPa (180 kgf/cm ²)
Travel circuit	24.5 MPa (250 kgf/cm ²)
Pilot circuit.....	3.9 MPa (40 kgf/cm ²)

HYDRAULIC CYLINDERS

High-strength piston rods and tubes. Cylinder cushion mechanisms provided in boom raise, arm crowd and dump circuits to absorb shocks at stroke ends.

DIMENSIONS

	Qty.	Bore	Rod diameter	Stroke
Boom	1	90 mm	55 mm	698 mm
Arm	1	80 mm	50 mm	702 mm
Bucket	1	70 mm	40 mm	551 mm
Boom swing	1	95 mm	50 mm	620 mm
Blade	1	100 mm	55 mm	150 mm

Controls

Hydraulic pilot control levers for all operations.

Swing mechanism

High-torque, axial piston motor with planetary reduction gear. Swing circle is single-row, shear-type ball bearing with induction-hardened internal gear. Internal gear and pinion are immersed in lubricant. Swing parking brake is spring-set/hydraulic-released disc type. Swing shockless valve built in swing motor absorbs shocks when stopping swing, ensuring smooth stops.

Swing speed

9.3 min⁻¹ (rpm)

Undercarriage

TRACKS

Tractor-type undercarriage. Welded track frame using carefully selected materials. Side frame welded to track frame.

NUMBERS OF ROLLERS ON EACH SIDE

Upper roller.....	1
Lower rollers	4

TRACTION DEVICE

Each track driven by a high-torque, 2-speed axial piston motor through planetary reduction gear, allowing counter-rotation of the tracks.

Travel speeds (rubber shoes)	High: 0 - 4.4 km/h
	Low: 0 - 2.5 km/h
Travel speeds (grouser shoes)	High: 0 - 4.1 km/h
	Low: 0 - 2.3 km/h
Gradeability.....	30 degrees (58%) continuous

Weights and ground pressure

Equipped with 1.46 m arm and 0.14 m³ (ISO 7451) bucket.

	Operating weight	Ground pressure
4-Pillar canopy version		
400 mm rubber shoes	4 290 kg	25 kPa (0.26 kgf/cm ²)
400 mm grouser shoes	4 440 kg	26 kPa (0.27 kgf/cm ²)
Cabin version		
400 mm rubber shoes	4 370 kg	25 kPa (0.26 kgf/cm ²)
400 mm grouser shoes	4 520 kg	26 kPa (0.27 kgf/cm ²)

Front-end attachments

BACKHOE BUCKETS

ISO 7451 capacity	Width		No. of teeth	Weight	Use	
	Without side cutters	With side cutters			1.46 m Short arm	1.81 m Long arm
0.10 m ³	405 mm	450 mm	3	90 kg	A	A
0.11 m ³	455 mm	500 mm	3	94 kg	A	A
0.13 m ³	505 mm	550 mm	4	103 kg	A	A
0.14 m ³	555 mm	600 mm	4	108 kg	A	B
0.16 m ³	605 mm	650 mm	4	114 kg	B	C
0.17 m ³	655 mm	700 mm	4	117 kg	C	C
Arm crowd force					22.5 kN (2 300 kgf)	20.3 kN (2 070 kgf)
Bucket digging force					32.3 kN (3 300 kgf)	

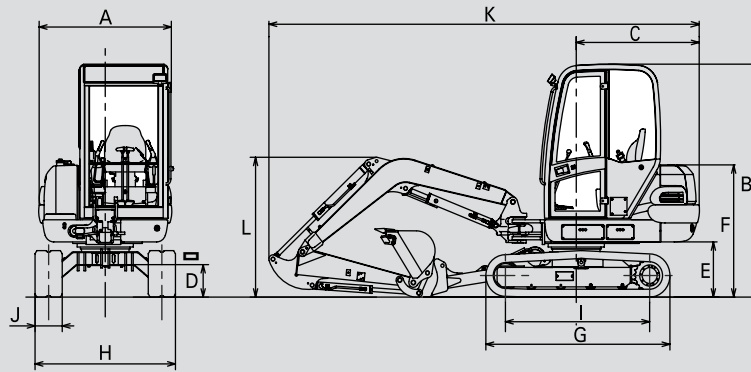
A: General digging B: Light-duty digging C: Loading

Boom swing angle Left 80°, Right 50°

Dimensions

The 4-pillar canopy or cabin can be mounted on the upperstructure according to job needs and applicable regulations.

They conform to TOPS (ISO 12117) and FOPS (ISO 10262, Level 1) requirements.



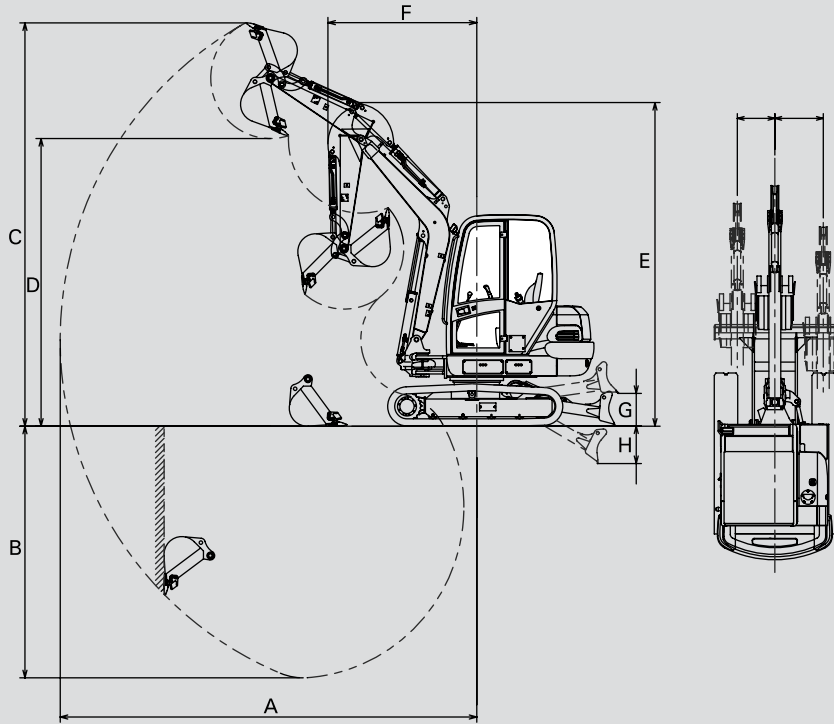
Notes:

1. The illustration shows the cabin version equipped with 400 mm rubber shoes.
2. Values are identical for cabin and canopy versions.

Unit: mm

	ZAXIS40
A Overall width	1 690
B Canopy / Cabin height	2 590
C Rear-end swing radius	1 450
D Minimum ground clearance	335
E Counterweight clearance	640
F Engine cover height	1 540
G Undercarriage length	2 450
H Undercarriage width	1 850
I Sprocket centre to idler centre	1 960
J Track shoe width	400
K Maximum transport length	5 450
L Overall height of boom	1 810

Working ranges



Notes:

1. The illustration shows the cabin version equipped with 0.14 m³ bucket, 1.46 m arm and 400 mm rubber shoes.
2. Values are identical for cabin and canopy versions.

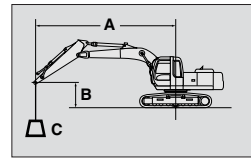
Unit: mm

	ZAXIS40	
	Canopy & Cabin	
	1.46 m arm	1.81 m arm
A Maximum digging reach	5 730	6 060
B Maximum digging depth	3 360	3 710
C Maximum cutting height	5 730	5 980
D Maximum dumping height	4 050	4 300
E Transport height	4 310	4 310
F Minimum swing radius	2 040	2 310
G Blade bottom highest position (above ground level)	430	430
H Blade bottom lowest position (below ground level)	460	460
Maximum boom-swing angle	L80° / R50°	L80° / R50°
Offset distance	L590 / R760	L590 / R760

LIFTING CAPACITIES

Metric measure

(Equipped with cabin)



A: Load radius
B: Load point height
C: Lifting capacity

ZAXIS40 SHORT ARM, DOZER BLADE ABOVE GROUND



Rating over-side or 360 degrees



Rating over-front

Unit: kN

Conditions	Load point height	Load radius										At max. reach		
		1 m		2 m		3 m		4 m		5 m		meter		
Arm 1.46 m	3 m					*10.60	10.40	8.12	6.34			6.67	5.18	4.45
Bucket 0.14 m ³	2 m					12.90	9.83	7.91	6.13			5.73	4.42	4.80
Rubber shoes 400 mm	1 m					12.10	9.13	7.61	5.86			5.47	4.20	4.90
	0 m			*13.60	*13.60	11.70	8.79	7.41	5.66			5.73	4.39	4.71
	-1 m	*20.70	*20.70	24.80	17.30	11.70	8.77	7.39	5.64			6.76	5.18	4.25
	-2 m			*19.30	17.70	12.00	9.03					9.77	7.69	3.34

ZAXIS40 SHORT ARM, DOZER BLADE ON GROUND

Unit: kN

Conditions	Load point height	Load radius										At max. reach		
		1 m		2 m		3 m		4 m		5 m		meter		
Arm 1.46 m	3 m					*10.60	10.40	*9.83	6.34			*9.06	5.18	4.45
Bucket 0.14 m ³	2 m					*14.60	9.82	*11.10	6.13			*9.22	4.42	4.80
Rubber shoes 400 mm	1 m					*18.90	9.13	*12.70	5.86			*10.10	4.20	4.90
	0 m			*13.60	*13.60	*20.20	8.79	*13.30	5.66			*10.30	4.39	4.71
	-1 m	*20.70	*20.70	*28.90	17.30	*18.30	8.77	*11.90	5.64			*10.50	5.18	4.25
	-2 m			*19.30	17.70	*12.20	9.03					*9.77	7.68	3.34

ZAXIS40 LONG ARM, DOZER BLADE ABOVE GROUND

Unit: kN

Conditions	Load point height	Load radius										At max. reach		
		1 m		2 m		3 m		4 m		5 m		meter		
Arm 1.81 m	4 m							8.19	6.38			7.54	5.87	4.17
Bucket 0.14 m ³	3 m					*8.52	*8.52	8.19	6.38			5.78	4.45	4.81
Rubber shoes 400 mm	2 m					*12.49	9.96	7.92	6.13	5.31	4.06	5.04	3.85	5.13
	1 m					12.12	9.14	7.55	5.79	5.17	3.94	4.82	3.66	5.21
	0 m			*13.69	*13.69	11.56	8.63	7.28	5.53	5.07	3.84	5.00	3.79	5.05
	-1 m	*16.50	*16.50	24.23	16.76	11.42	8.51	7.18	5.43			5.74	4.35	4.63
	-2 m	*27.50	*27.50	*24.50	17.10	11.60	8.67					7.84	5.96	3.84

ZAXIS40 LONG ARM, DOZER BLADE ON GROUND

Unit: kN

Conditions	Load point height	Load radius										At max. reach		
		1 m		2 m		3 m		4 m		5 m		meter		
Arm 1.81 m	4 m							*8.49	6.38			*8.55		4.17
Bucket 0.14 m ³	3 m					*8.52	*8.52	*8.53	6.38			*7.96	4.45	4.81
Rubber shoes 400 mm	2 m					*12.49	9.96	*10.00	6.13	*8.85	4.06	*8.07	3.85	5.13
	1 m					*17.39	9.14	*11.86	5.79	*9.39	3.94	*8.75	3.66	5.21
	0 m			*13.69	*13.69	*19.83	8.63	*13.01	5.53	*9.46	3.84	*9.31	3.79	5.05
	-1 m	*16.50	*16.50	*24.60	16.76	*19.05	8.51	*12.53	5.43			*9.56	4.35	4.63
	-2 m	*27.50	*27.50	*24.50	17.10	*14.80	8.67					*9.47	5.96	3.94

- Notes
1. Ratings are based on ISO 10567.
 2. Lifting capacity does not exceed 75% of tipping load with the machine on firm, level ground or 87% full hydraulic capacity.
 3. The load point is a hook (not standard equipment) located on the back of the bucket.
 4. An asterisk mark (*) indicates load limited by hydraulic capacity.
 5. 0 m = Ground.

Standard Equipment

Standard equipment may vary by country, so please consult your Hitachi dealer for details.

ENGINE

- Water-separator for engine fuel system

HYDRAULIC SYSTEM

- Hydraulic pilot type control levers
- Pilot control shut-off levers
- Anti-drift valve for front attachments
- Two-speed travel system
- Swing parking brake
- Hydraulic piping for breaker

CANOPY (CABIN)

- One work lamp
 - Heater
 - Windshield wiper*
 - Windshield washer*
 - Windshield defroster*
 - Evacuation hammer*
 - Seat belt
 - Wrist rest
 - 12 V outlet
- Note: * For cabin version

UNDERCARRIAGE

- 400 mm rubber shoes
- Semi-long stay blade

FRONT ATTACHMENTS

- 2.73 m boom
- 1.46 m arm
- 0.14 m³ hoe bucket
- O-ring type pin-seals for hoe bucket
- HN bushing

Optional Equipment

Optional equipment may vary by country, so please consult your Hitachi dealer for details.

CANOPY (CABIN)

- One work lamp

UNDERCARRIAGE

- 400 mm grouser shoes
- 550 mm grouser shoes

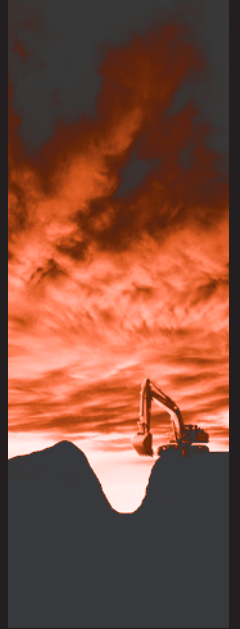
FRONT ATTACHMENTS

- 1.81 m arm
- Backhoe buckets

Hitachi Construction Machinery (Europe) NV

Souvereinstraat 16, 4903 RH Oosterhout, P.O. Box 404, 4900 AK Oosterhout, The Netherlands
T +31-(0)162 48 44 00, F +31-(0)162 45 74 53, www.hcme.com

Siciliëweg 5, Haven 5112, 1045 AT Amsterdam, P.O. Box 59239, 1040 KE Amsterdam, The Netherlands
T +31-(0)20 44 76 700, F +31-(0)20 33 44 045, www.hcme.com



**Breaking
new
ground**

HITACHI