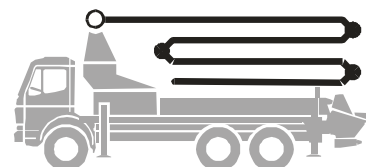


Truck-mounted concrete pump

Output up to 160 m³/h

Delivery pressure up to 130 bar*

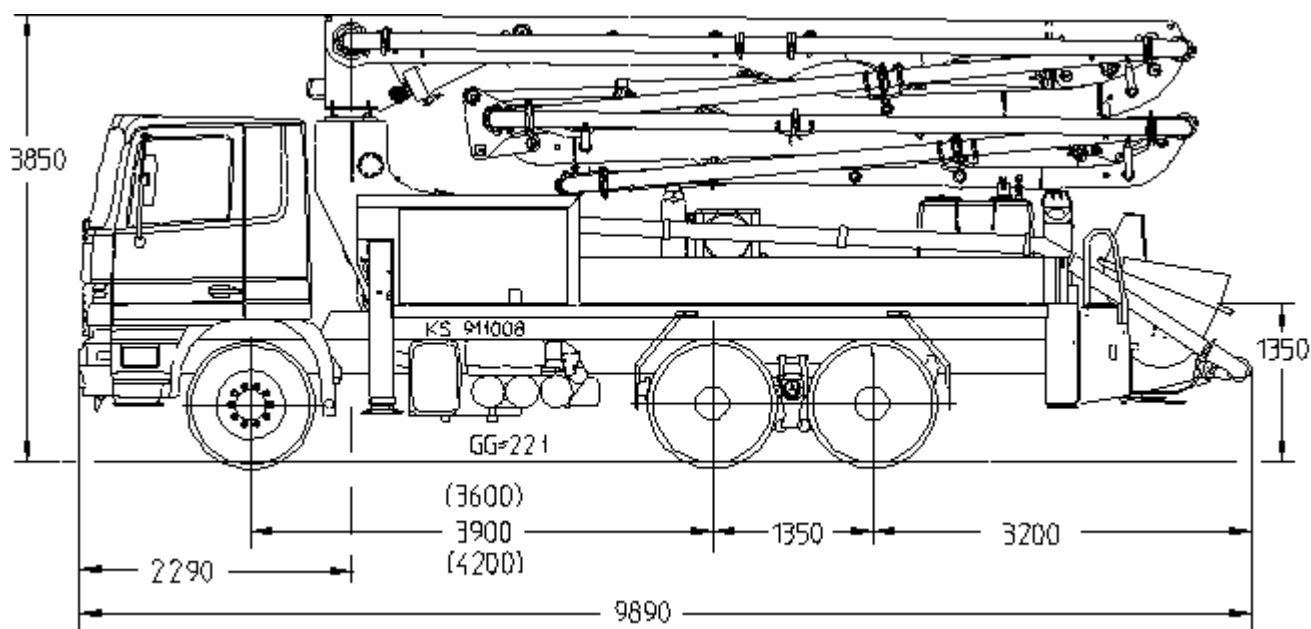
BSF 28-4.11 H



.11 H LS

.14 H

.16 H



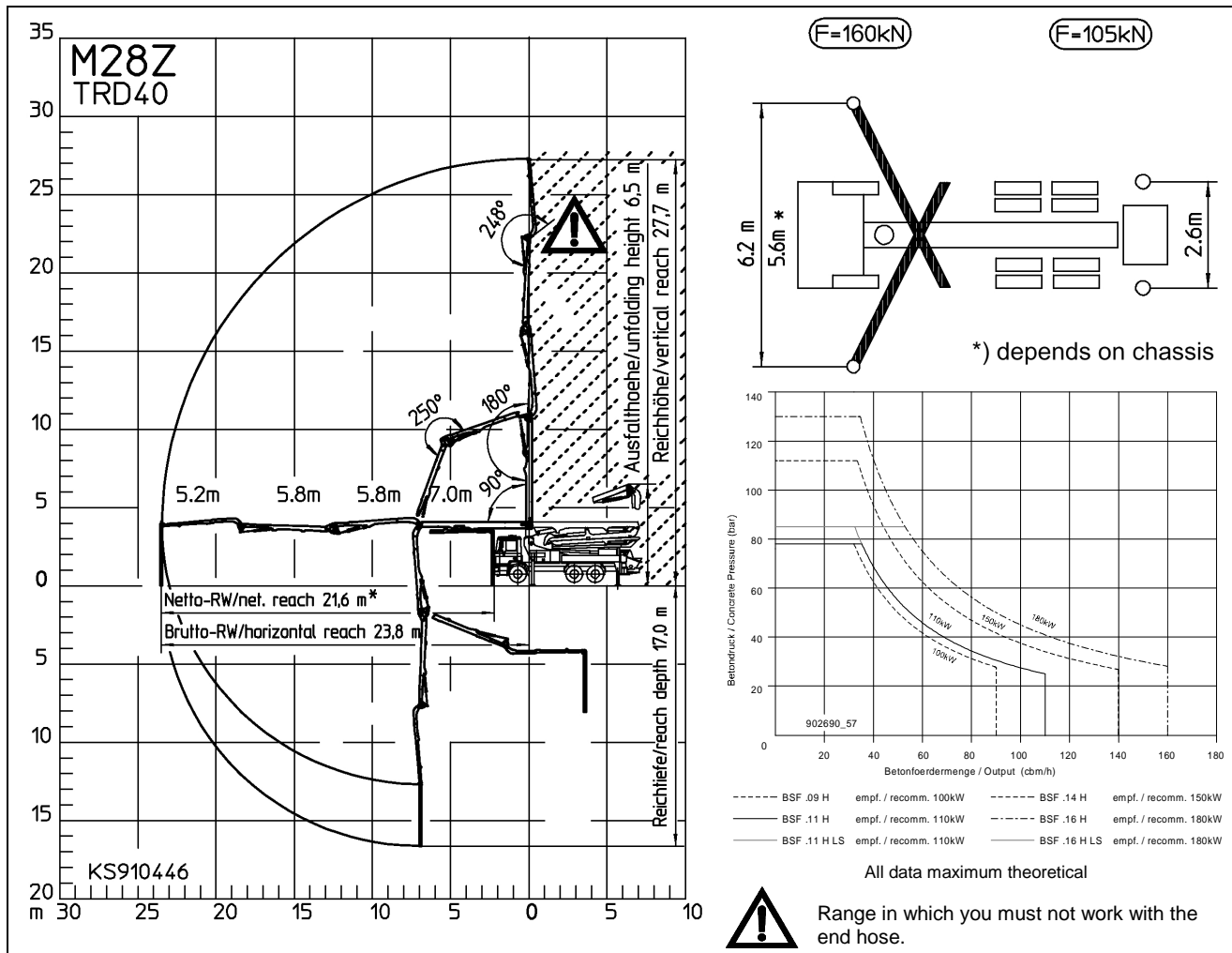
Note: Standard version. Dimensions and weights depend on truck pump model and equipment.
Dimensions in mm, MB-Actros 2632 as example
3-axle truck with wheel base 3600 mm only possible if pumps 11 H or .11 H LS are used.
3-axle truck with wheel base 4200 mm if pump .16 H is used.

Technical Data

Boom M 28-4		Pump		BSF	.11 H	.11 H LS	.14 H	.16 H
Sections	4	Rod side	Output	m ³ /h	-	-	140	160
Reach height	m 27.7		Delivery pressure	bar	-	-	70	85
Horizontal reach	gross m 23.8 net m 21.6		Strokes	1/min.	-	-	27	31
Reach depth max.	m 17.0	Piston side	Output	m ³ /h	110	110	88	108
Unfolding height	m 6.5		Delivery pressure	bar	78	85	112	130
End hose length	m 4		Strokes	1/min.	32	27	17	21
Folding system	Z		Delivery cylinder	∅ mm	230	250	230	230
Delivery line	DN 125		Stroke	mm	1400	1400	2100	2100

*) Delivery line boom max. 85 bar.
All data maximum theoretical.

Reach information diagram, Support, Performance diagram



Serial delivery scope

agitator and water pump radio remote/on site controlled

boom pedestal TRD

boom rear light 24 V

cardan shaft maintenance free

central lubrication strip hopper

chassis horn via remote control on hopper

concrete hopper RS 900 with agitator

connections for hydraulic emergency supply

C-pipe connection for filling water tank

delivery cylinder chrome-plated

delivery line (1-layer) PM40, arm assembly

delivery piston "compact" (11 H, 14 H, 16 H), „single“ (11 H LS)

diagnose interface

end hose 4,0 m DN 125 5,5"

Ergonic Graphic Display (EGD) with machine fault management

Ergonic Pump System (EPS) incl. Ergonic Output Control

flushing water pump 160 l/min 25 bar

hand working search light lighting hopper, detachable

hydraulic hose for replacement in hose pack

operating manuals 2xcert.(1xpaper, 1xCD-ROM) spare part list

painting: pump MB 1227 chrome yellow

painting:arm assembly RAL 3020 signalred

platform non-skid

pump on/off dependent on speed

radio remote control proportional with display

remote control with 25m cable, without display

rubber collar on hopper

side panel left foldable

side panel right foldable

single piston

spectacle wear plate DURO 22

splash guard fixed

spray hose 10 m incl. bracket

S-transfer tube switchover fast/slow

support plates (4x) in magazine (2x) open

Tool set incl. standard equipment

towing eye

water supply, hopper (1/2")

water tank 880 / 610 l, depends on chassis

See quotation for exact serial delivery scope.

Comprehensive range of options available on request.